



## Single-Handle Pressure Balancing Shower Valve only with Integral Stops and HAF

Model: 8375, 8375EP15



### DESCRIPTION

- Chrome plated metal construction
- Pressure balancing cycle valve design with 1/4 turn stops
- 1/2" CC connections
- Shower arm has 1/2" IPS male thread
- Supplied with vandal resistant screws
- Quick cleaning rubber nozzles
- Vandal resistant shower head

### OPERATION

- Temperature valve has ADA compliant lever style handle
- Handle operates counterclockwise through a 270° arc with off at 6 o'clock, and maximum hot at the 9 o'clock position. Shut off in clockwise direction
- Adjustable temperature limit stop
- Pressure balancing mechanism maintains selected discharge temperature to  $\pm 2^\circ$

### FLOW

- 8375 (2.5gpm/9.5 lpm)
- 8375EP15 (1.5gpm/5.7 lpm); **WaterSense® Certified**

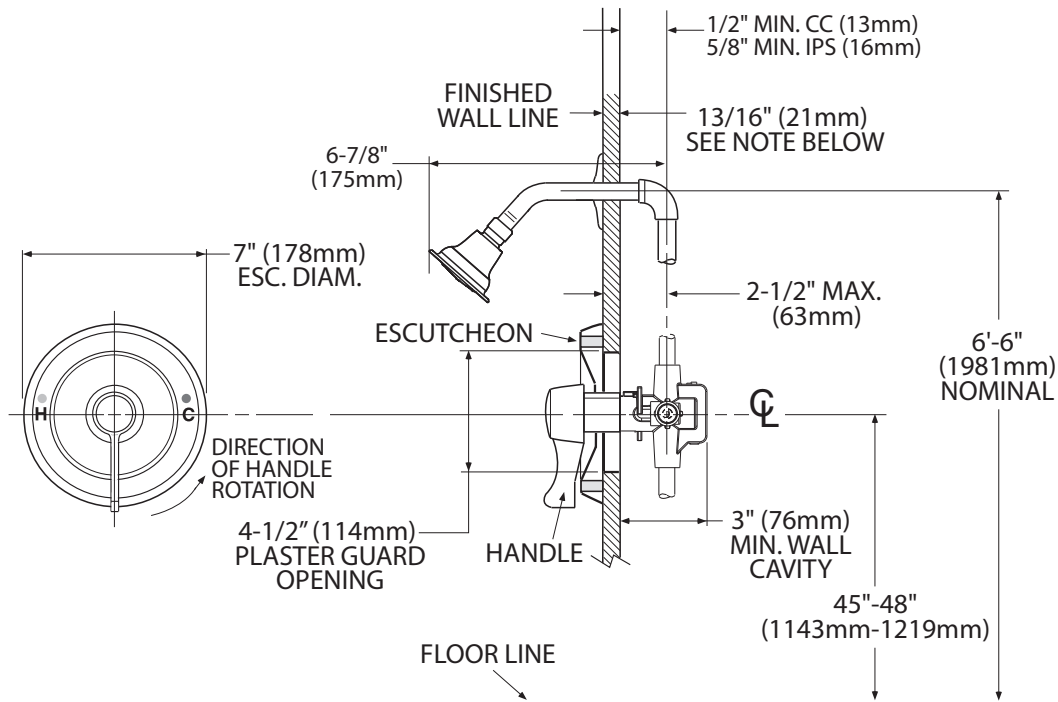
### CARTRIDGE

- 1222HD brass cartridge design
- Brass construction with stainless steel materials
- Accommodates back-to-back installations

### STANDARDS

- Third party certified to WaterSense® (only applies to 1.5 gpm), ASME A112.18.1/CSA B125.1 and all applicable requirements referenced therein including ASSE 1016

- **ADA**  for lever handle



## CRITICAL DIMENSIONS

(DO NOT SCALE)